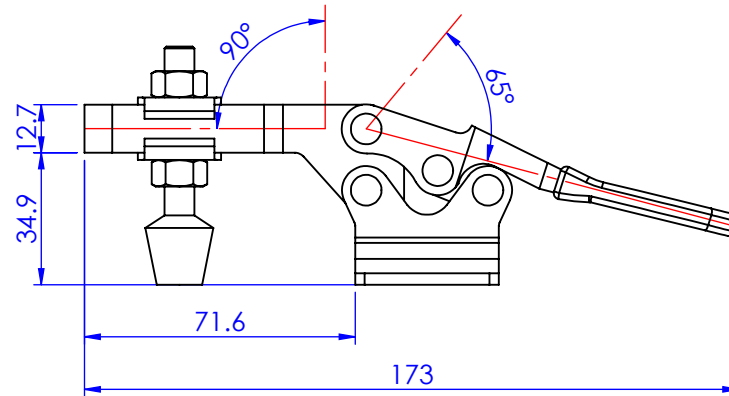
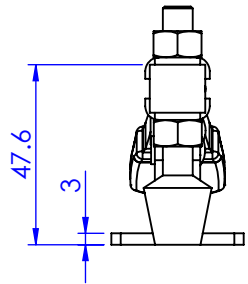
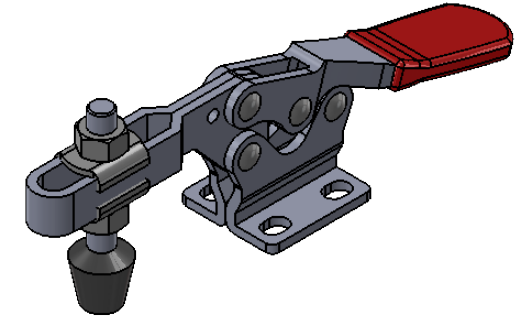
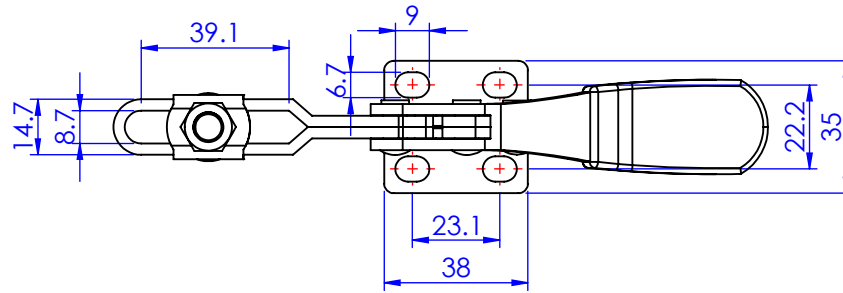


Part No:	GH-225-D
Holding Capacity:	227Kg
Bar Opens:	90°
Handle Opens:	65°
Weight:	0.26Kg
Spindle Supplied:	FC-56212
Flanged Washers:	FW-516



Unit:mm  
Scale: 1:2

 **Good Hand Enterprise Co., Ltd**

TITLE:		
DWG NO.	GH-225-D	A4